

IESS-DFM70H400-DLM

Network Camera Dome Fixed Lens 2.8mm 4MP Double LED (IR & Warm LED) Built-in microphone



4MP 1/2.8" Cmos Sensor (2560x1440)

ONVIF 16.12

2.8 mm Fixed Lens

Max distance IR Led 20m

Human Recognition/Face Recognition/Video Analysis

2 Array IR Led + 2 Warm White LED (in the same chip)

IP65 / Built-in microphone

PoE (IEEE802.3af/3at) / DC12V



Functions

Digital Wide Dynamic Range

With the advanced Digital Wide Dynamic Range (DWDR) technology, the camera provides clear details in all those environments where the shooting scenes have brighter subjects and darker subjects. Thanks to the DWDR function, the images are shot with different exposure times depending on the lighter or darker parts which are then digitally combined to obtain perfect final images.

Smart H.265+ & Smart H.264+

With advanced scene-adaptive rate control algorithm, Envio smart encoding technology realizes the higher encoding efficiency than H.265 and H.264, provides high-quality video, and reduces the cost of storage and transmission.

Intelligent Video System (IVS)

IVS is an integrated video analytics algorithm that offers intelligent functions to monitor a scene for Tripwire violations, intrusion detection (Perimeter Protection). A camera with IVS responds quickly and accurately to monitoring events in a specific area. In addition to scene analysis, the camera supports face detection. The camera also offers tampering detection by recognizing a dramatic scene change and generating an alert message to inspect the camera.

PoE technology

PoE is a technique that allows you to power IP cameras using the same cable that connects them to a local Ethernet network, provided it is of the twisted pair type, through the use of a POE network switch or a POE NVR. This technology is very useful when there are difficulties in finding electrical sources near the termination or even to reduce the number of elements and cables; for example, an IP camera can be powered directly from the ethernet network cable in Power over Ethernet, eliminating the power supply and its cable and making installation simpler and cleaner. The standard used by ENVIO cameras is IEEE 802.3af.

Smart Dual Illuminators

Envio Smart Dual Illuminators technology adopts smart algorithm to detect targets. Usually, the IR illuminator is on at night; when the target appears in the monitoring area, the white light is on, and the camera records the full-color video and information of key events. That is, the camera links snapshot and video with full-color image. When the target is out of the monitoring area, the white light is off and the IR illuminator is on.

Protection IP65

IP65: the camera has a waterproof degree which guarantees total protection against the penetration of solid bodies, the penetration of liquids by drops, vapours, sprays and jets of water in any direction.

TECHNICAL SPECIFICATIONS

CAMERA	
Image Sensor	1/2.8" Cmos Sensor
Max. Resolution	4 MP / 2560 (H) × 1440 (V)
Electronic Shutter Speed	1/50(1/60)s to 1/10.000s
Min. Illumination	0.001Lux@F1.2
Illumination	2 Warm White Led + 2 IR Led (in thew same chip) / 20 m
Illuminator On/Off Control	Auto/Manual
PTZ	-

LENS	
Lens Type	Fixed focal
Focal Length/Angle of View	2.8 mm / 90°
Iris Control	-

VIDEO	
Video Frame Rate	Main stream:2560*1440@18fps, 2304*1296@20fps, 1920*1080@25fps Sub-stream: 800*448@25fps
Smart Function	Human Recognition/Face Recognition/Video Analysis
Illumination Mode	IR Mode/Color Warm White
Smart Codec	H.264 / H.265 / H.265+

AUDIO	
Built-in MIC	YES
Two-way audio	-
Audio Compression	G.711

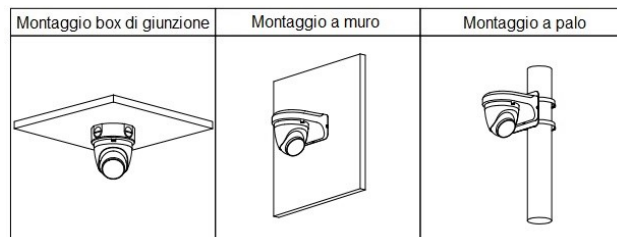
ALARM	
Alarm	-

NETWORK	
Network Interface	1*RJ45 10/100M adaptive Ethernet port
Protocol	IPv4, https, TCP/IP, FTP, NTP, RTSP, UDP, SMTP, DNS, DDNS
ONVIF	Yes
P2P	XMEye - XMEye Pro
IE Browser	Edge, Chrome, Firefox
WiFi/SD-Card	- / -

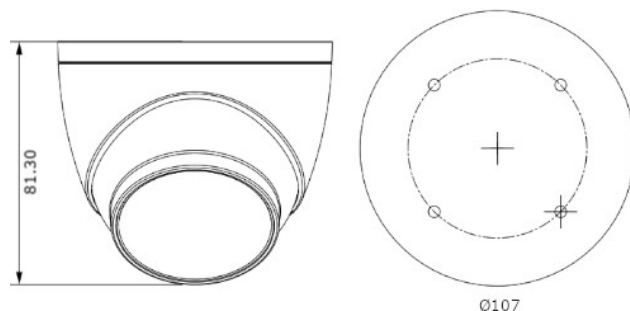
POWER	
Power Supply/Consumption	12V DC/PoE (802.3af/3at) / < 5W

STRUCTURE	
Material/Protection	Metal/Plastic / IP65
Dimensions/Weight	∅107mm x 81.3mm / 0.3 kg

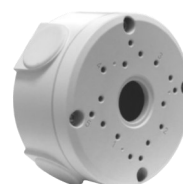
INSTALLATION MODE



TECHNICAL DRAWING



ACCESSORIES



ETJ-JB04



ETJ-JB01



ETP-15SF12H



ETS-POE-4



ETS-POE-8



ETS-POE-16

ENVIO SECURITY SYSTEMS

DN2, E85, Km 150 + 300m,
Ramnicu Sarat,
Buzau, Zip code: 127480,
Romania